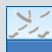


WEKO-ProTec

INNOVATIVE NON-CONTACT FINISHING MACHINERY



WEKO-ProTec helps to make high efficient antimicrobial finishing of Nonwoven or technical Textiles and helps to make our world more safe. Wether your application should be chemically or mechanically kill microbials - our experts will be on your side for help.

 **ANTIMICROBIAL** **ANTIVIRAL** **ANTIBACTERIAL**

PROTECT YOUR MATERIAL AGAINST MICROBIAL IMPACT

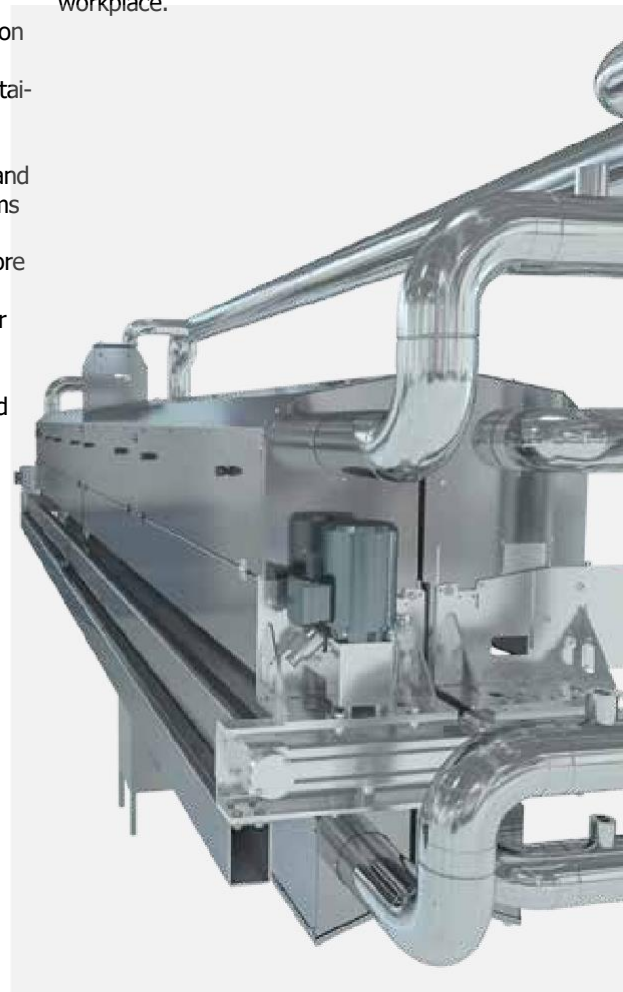
Worldwide pandemic of COVID-19 is raising the demand of specialized and individual products to fight microbial, viral or bacterial impact and diversity of finishings is growing.

Future products will be added with those functions in much more industrial sections than today - not only in medical and hygienic industry. More flexibility in production is required while consumption of chemicals, water and heat energy becomes a bigger point in terms of sustainability and optimizing the margins.

Therefore WEKO offers high precision and non-contact minimal application systems for a wide variety of fluids. Convincing factors are the higher economy and more exact reproducibility. The contactfree Rotorspray avoid contamination of your chemistry as well as uneven treatment along the full production run. Due to one or both side precise application and high flexibility in recipe your chemistry use could easily be reduced by full functionality.

Low tank volumes, rinsing and cleaning functions helping to reduce waste after production. The system is designed for 100% speed compensation by speeds up to 1200 m/min. and a spray width of up to 7,5 meter.

In addition, WEKO-ProTec, the encapsulated application unit, allows you to safely handle substances that should not be perceivable in your working environment. This may include aerosols exhibiting unpleasant odours or slippery silicons and oils. With the encapsulation and highly efficient extraction, WEKO provides a solution that reduces the health risk at the workplace.



ProTec

MAXIMUM SAFETY FOR PEOPLE AND THE MACHINE



WEKO

ProTec

Principle of the non-contact WEKO application system:

The fluid is supplied to the center of fast rotating discs which speeds it up and distributing it due to centrifugal force to the disc edge. Liquid threads are built which are mechanically cutted to an even 360° stream of micro droplets by overcoming the cohesive forces. Special covers creating precise spraying windows. To reach the needed spray format several rotor discs are installed beside each other in WEKO rotorcarrier.

Advantages of the non-contact application:

- **NO STRAIN FOR THE MATERIAL WEB**
thanks to non-contact application
- **MAXIMUM PROCESS RELIABILITY**
thanks to precise and reproducible spray amount
- **SAVING UP TO 70% OF CHEMICALS AND WATER**
- **SAVING UP TO 90% OF HEAT ENERGY**

Protection against:

harmful aerosols



unpleasant odours



risk of slipping



Principle of WEKO-ProTec encapsulation:

The significant improvement of protection against undesirably escaping aerosols and the cleanliness of the environment is achieved through the very easy to operated encapsulated application unit. By push on a button it is automatically opening and the material could easily be feeded in. After closing, the high efficient extraction provides the desired protection.

Benefits of WEKO-ProTec:

- **PROTECTION OF THE WORKERS' HEALTH**
- **SAFETY AT THE WORKPLACE**



APPLICATIONS

- **MEDICAL SUPPLIES**, e.g. surgical gowns, surgical drapes, face masks
- **HYGIENE ARTICLES**, e.g. diapers, fem care, incontinence products
- **HOME TEXTILES**, e.g. mattress, bedding, sofa covers
- **APPAREL**, e.g. outdoor & sport fashion, workwear
- **AUTOMOTIVE**, e.g. seats, headliner, tufted carpets