



VIRUS PROTECTION
FOR TEXTILES



ViralOff
POLYGIENE TECHNOLOGY

weko

99 % VIRUS REDUCTION BY 20 % SPRAY APPLICATION

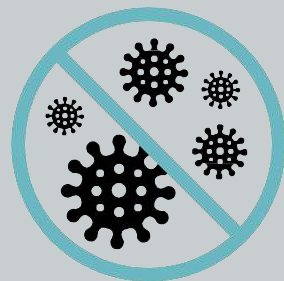


MAXIMUM SAFETY FOR PEOPLE MAXIMUM COST REDUCTION



ViralOff
POLYGIENE TECHNOLOGY

WEKO



99% REDUCTION OF
VIRUSES IN 2 HOURS

ISO18184:2019, ATCC VR-1679 (H3N2)



ViralOff
POLYGIENE TECHNOLOGY

SAVE UP TO

- 80% OF WATER
- 80% OF CHEMISTRY
- 90% DRYING ENERGY

REDUCE

- PCF
- MATERIAL STRESS

RAISE

- LINE SPEED
- MACHINE UPTIME
- PROFITABILITY
- BRAND AWARENESS

OEKO-TEX®
CONFIDENCE IN TEXTILES

APPLY ViralOff WITH WEKO AND CONTROL PICK UP AS PER YOUR NEED!

ViralOff is an antiviral treatment added to textiles to protect the treated article itself from contamination. Gives 99% reduction of viruses in 2hours*. It is not intended to cure or prevent diseases.

ViralOff doesn't interfere with the skin's natural bacterial flora. For best performance and sustainability, wash less and only when needed, which will result in a product that will live longer.

As the world leader in stays fresh and odor control technologies, we want to change the way we view clothes from fast consumables to durables. We treat clothes, home products and textiles to help people stay fresh, wash less and let clothes and products live longer. Over 140 global premium brands have chosen to use the Polygiene brand with their products.

Is it safe to have close to the skin?

The component of Polygiene ViralOff is only active in the treated material and does not interfere with the natural bacterial flora of the skin. In addition, the ViralOff additive has been patch tested at the Kawai Institute of Industrial Dermatology.

Will silver chloride be transferred when breathing close to the treated fabric?

The silver chloride in the Polygiene ViralOff treatment is only active in the fabric or material by its intermolecular force, and is not transferred. Our technology is also certified for Eco Passports by OEKO-TEX®. This guarantees our additive is not harmful to human health.

*ISO18184:2019, ATCC VR-1679 (H3N2)



WEKO helps to make high efficient antimicrobial finishing of Textile, Nonwoven or technical Textiles and helps to make our world more safe. No matter in which finishing process it should be applied - our experts will be on your side for help.

WEKO sprays successfully and efficiently Polygiene ViralOff and other antimicrobial products.

Principle of the non-contact WEKO application system:

The fluid is supplied to the center of fast rotating discs which speeds it up and distributing it due to centrifugal force to the disc edge. Liquid threads are built which are mechanically cutted to an even 360° stream of micro droplets by overcoming the cohesive forces. Special covers creating precise spraying windows. To reach the needed spray format several rotor discs are installed beside each other in WEKO rotorcarrier.

YOUR BENEFITS

- One or both side application
- Non-contact application
- No bath contamination
- No tailing
- Adjustable penetration level
- Less drying energy
- High speed production
- Easy setup and perfect repeatability

BE UNIQUE, PROFITABLE AND SUSTAINABLE!

Capsulatet version WEKO-ProTec and WEKO-NEO

The significant improvement of protection against undesirably escaping aerosols and the cleanliness of the environment is achieved through the very easy to operated encapsulated application unit. By push on a button it is automatically opening and the material could easily be feeded in. After closing, the high efficient extraction provides the desired protection.

Protection against:

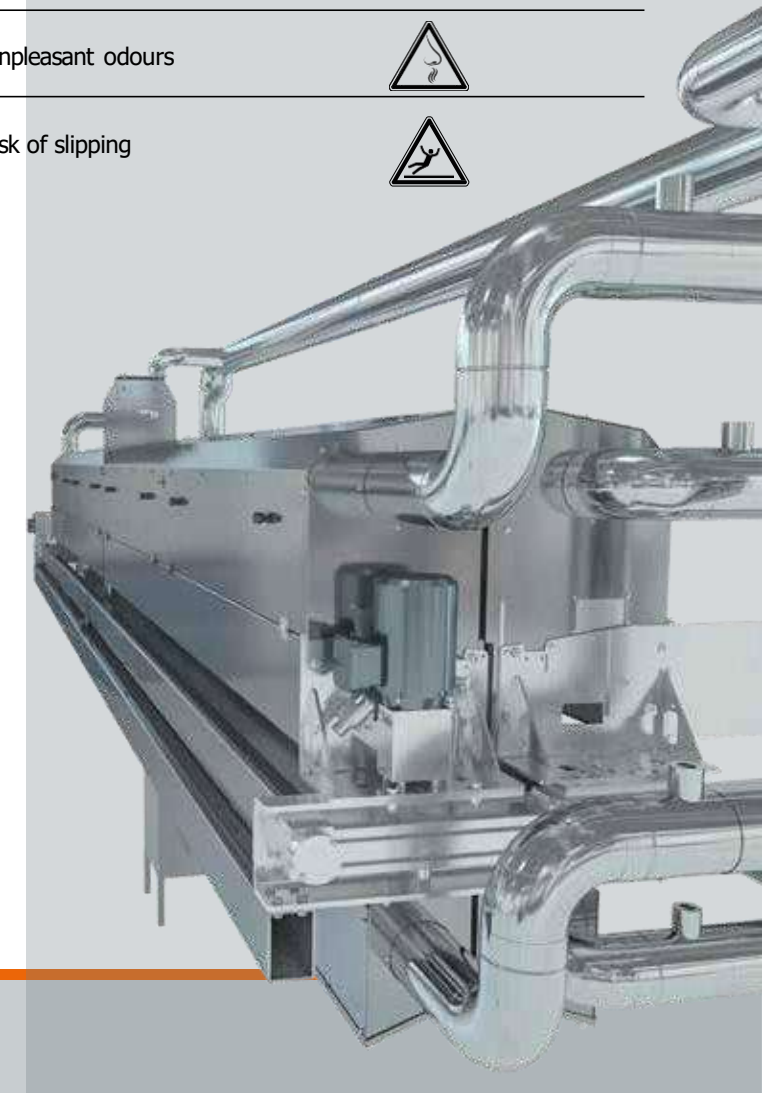
harmful aerosols



unpleasant odours



risk of slipping





VIRUS PROTECTION FOR TEXTILES



ViralOff
POLYGIENE TECHNOLOGY

weko

A cooperation from:

POLYGIENE HQ MALMÖ
Polygiene AB · Styrmansgatan 2 · SE-211 18 Malmö · Sweden
Tel. +46 (0) 40 26 22 22 · info@polygiene.com

WEITMANN & KONRAD GMBH & CO. KG
Friedrich-List-Straße 20-24 · 70771 Leinfelden-Echterdingen · Germany
Tel. +49 711 7988 0 · sales@weko.net



LEARN MORE
ABOUT ViralOff



LEARN MORE
ABOUT WEKO

